

Trapezoid shaped speaker enclosure for PA applications / Two way, bass reflex system (1 inch horn + 8 inch woofer)

Simple construction, easy to build:

Overlapping edges compensate small deviations in material thickness & dimensions.

- > Stability can be further improved by using dowel connections and adding more stiffenings.
- > Terminal, feet, handles & rigging are to be added as needed.
- > Dampening: back, sides, cover & base loosely cushioned
Leave the path between driver and port opening free.
- > Always check the actual measurements of the used speaker parts and pipes.



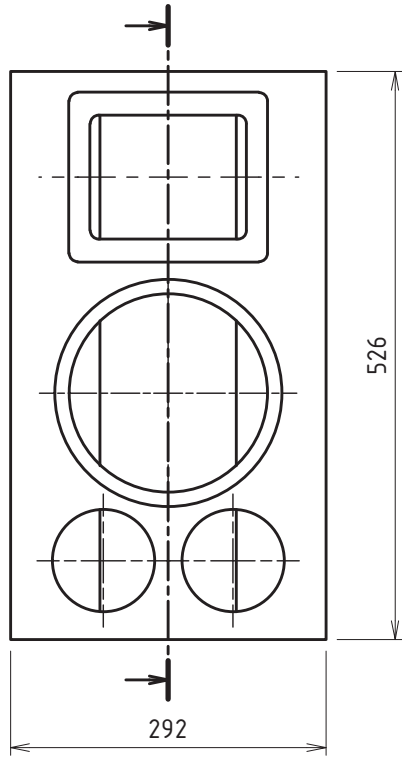
Two Way Loudspeaker 1"/8"

BPA Reference Enclosure Nr. 1001

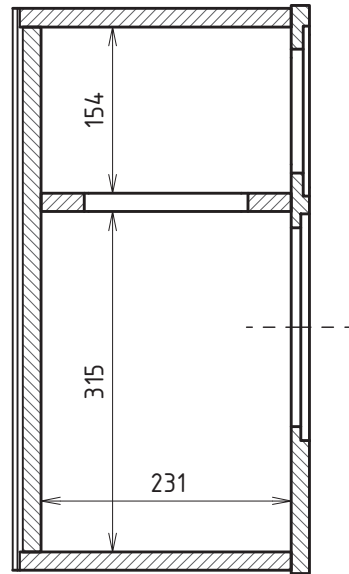
Version 1.0
02.07.2021

Sheet 1 of 4

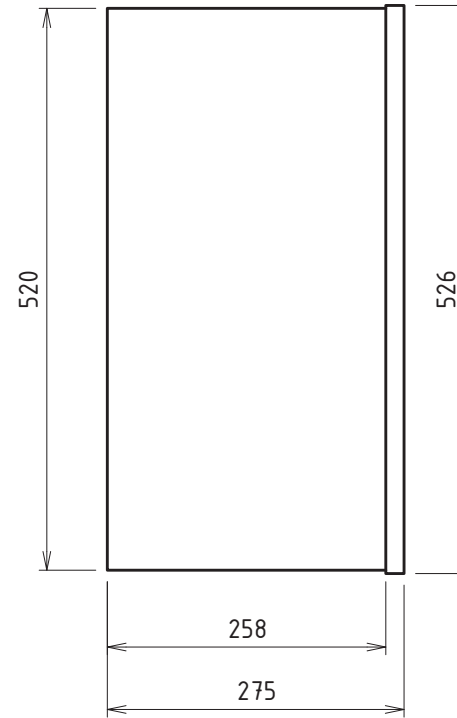
Frontal View



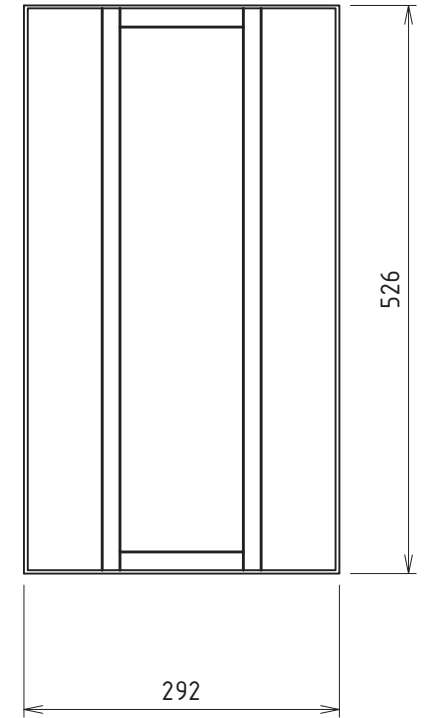
Section



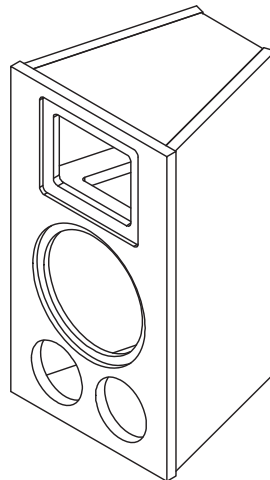
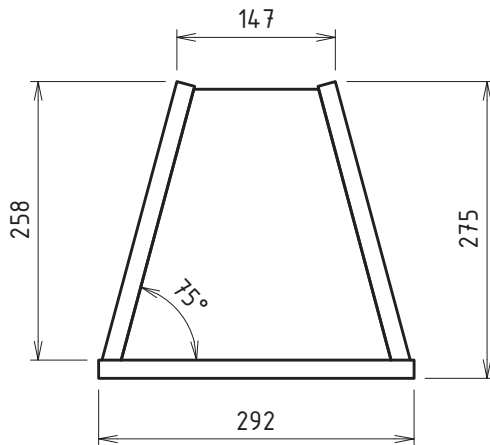
Side View



Back View



Top View



> Material thickness = 17 mm

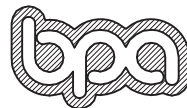
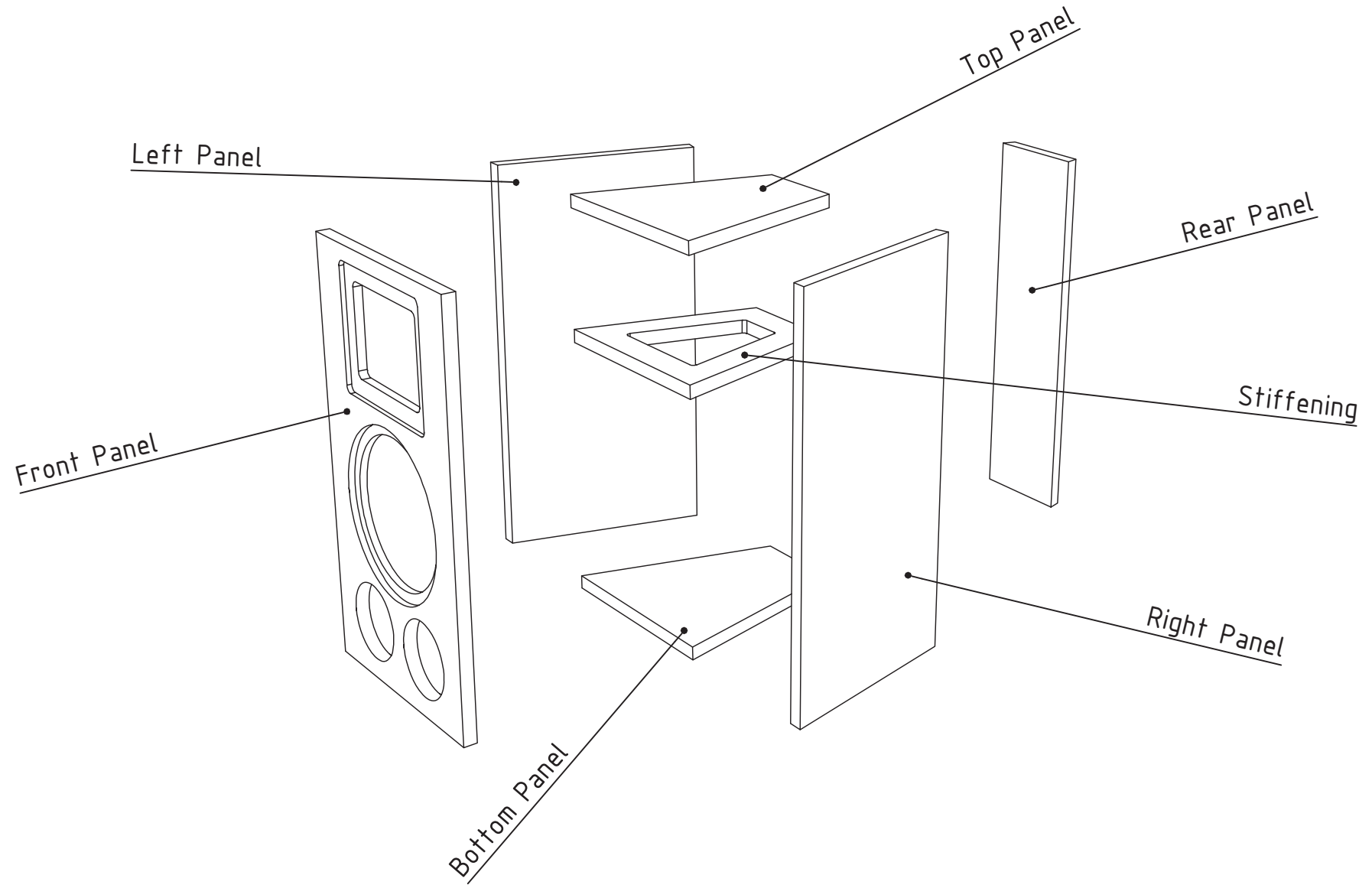


Two Way Loudspeaker 1"/8"

BPA Reference Enclosure Nr. 1001

Version 1.0
02.07.2021

Sheet 2 of 4



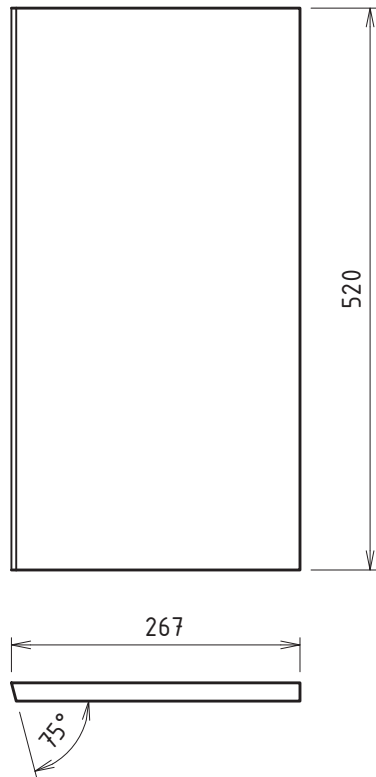
Two Way Loudspeaker 1"/8"

BPA Reference Enclosure Nr. 1001

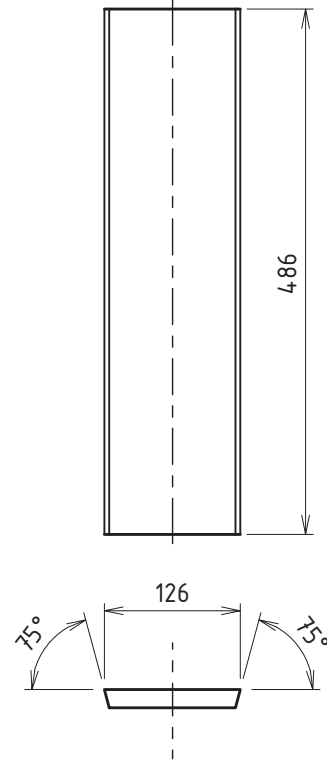
Version 1.0
02.07.2021

Sheet 3 of 4

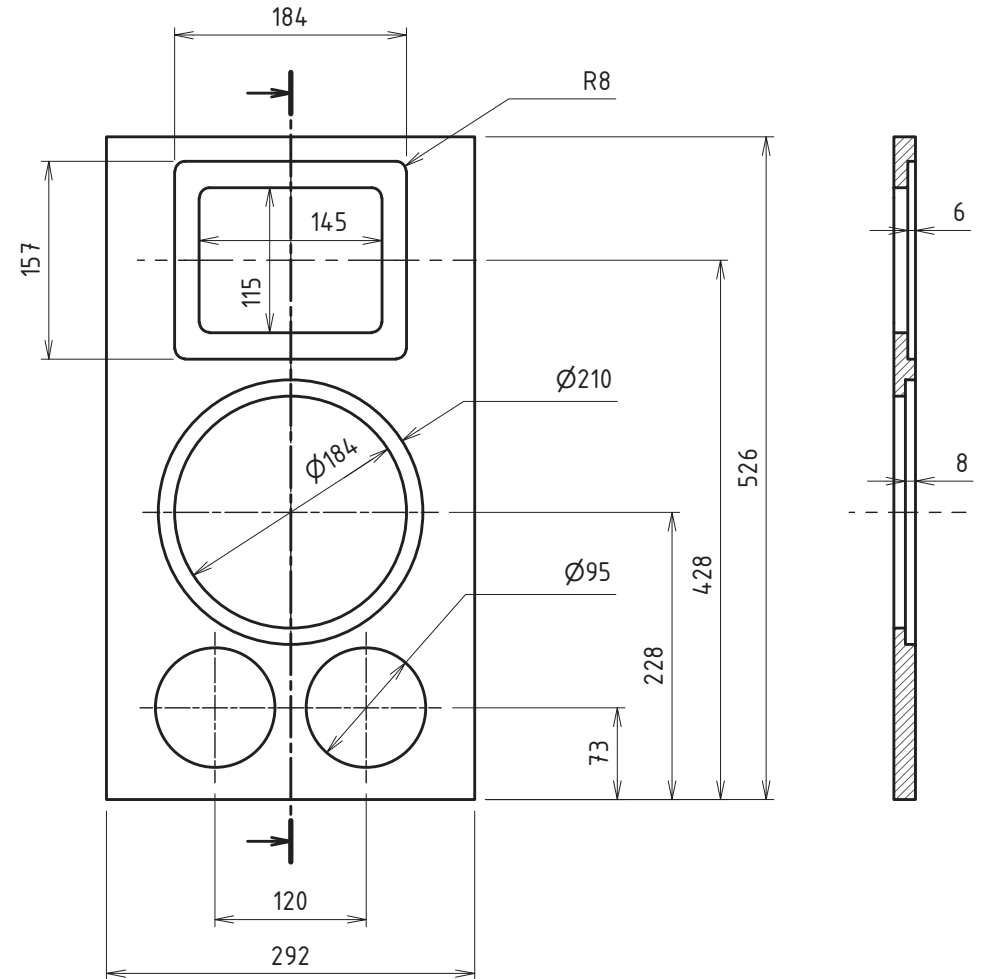
Left & Right Panel (x2)



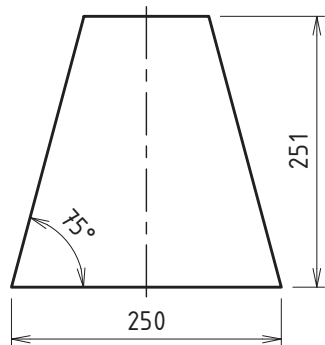
Rear Panel



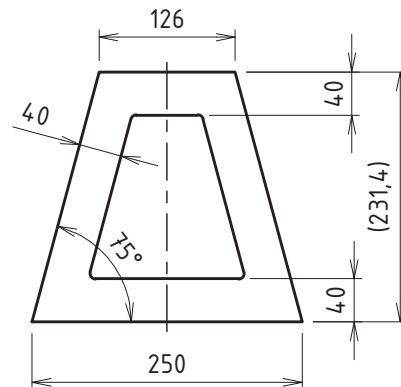
Front Panel



Top & Bottom Panel (x2)



Stiffening



> Material thickness = 17mm



Two Way Loudspeaker 1"/8"

BPA Reference Enclosure Nr. 1001

Version 1.0
02.07.2021

Sheet 4 of 4