

Trapezoid shaped speaker enclosure for PA applications / Two way, bass reflex system (1 inch horn + 12 inch woofer)

Simple construction, easy to build:

Overlapping edges compensate small deviations in material thickness & dimensions.

- > Stability can be further improved by using dowel connections and adding more stiffenings.
- > Terminal, feet, handles & rigging are to be added as needed.
- > Dampening: back, sides, cover & base loosely cushioned
Leave the path between driver and port opening free.
- > Always check the actual measurements of the used speaker parts and pipes.



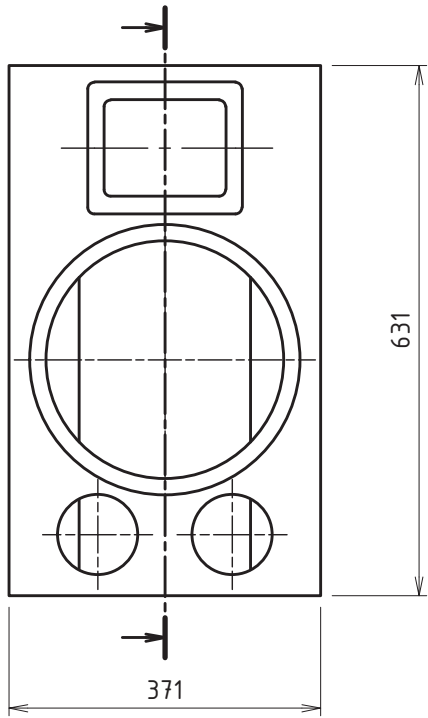
Two Way Loudspeaker 1"/12"

BPA Reference Enclosure Nr. 1002

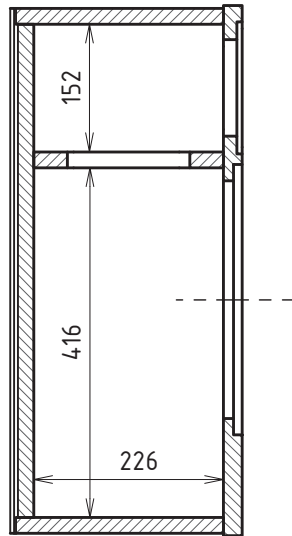
Version 1.1
04.11.2021

Sheet 1 of 4

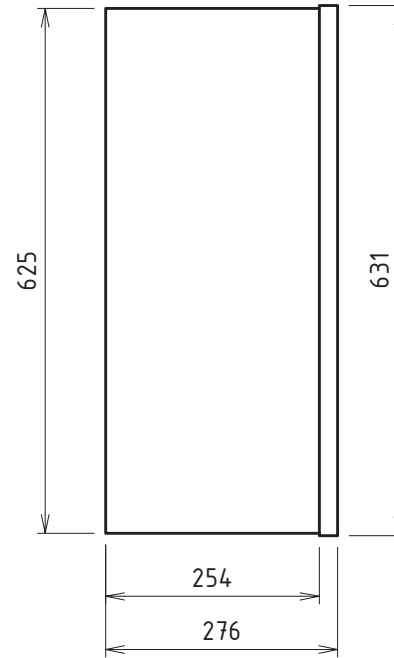
Frontal View



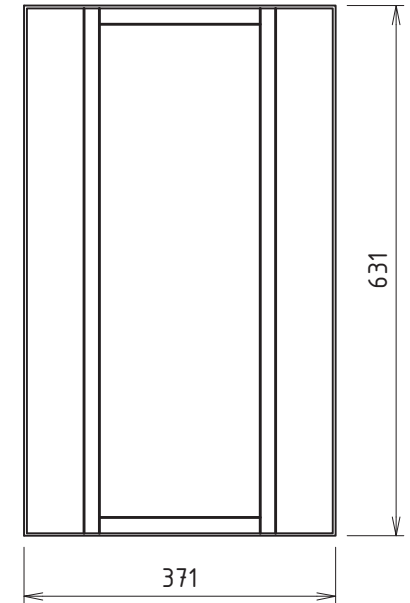
Section



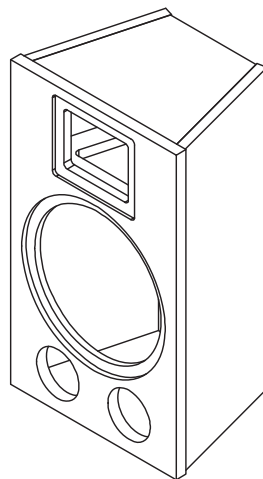
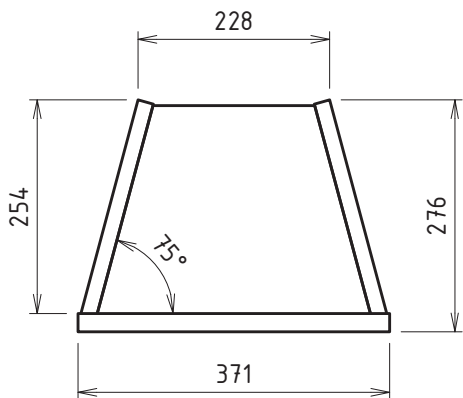
Side View



Back View



Top View



Material thickness

- > Front panel = 22 mm
- > All others = 19 mm

Bassreflex ports

- > Nominal diameter = 70 mm
- > Length = 150 mm

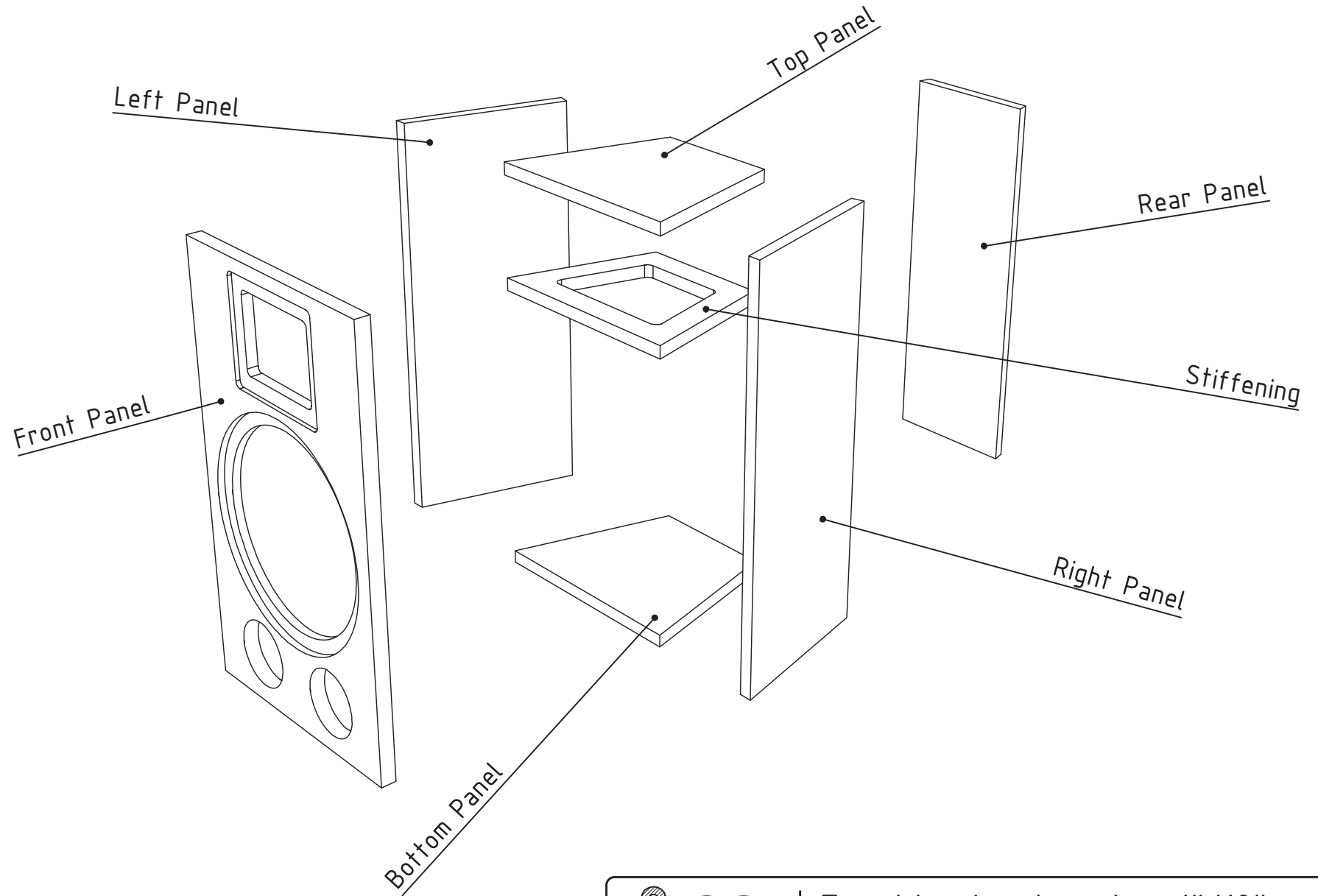


Two Way Loudspeaker 1"/12"

BPA Reference Enclosure Nr. 1002

Version 1.1
04.11.2021

Sheet 2 of 4



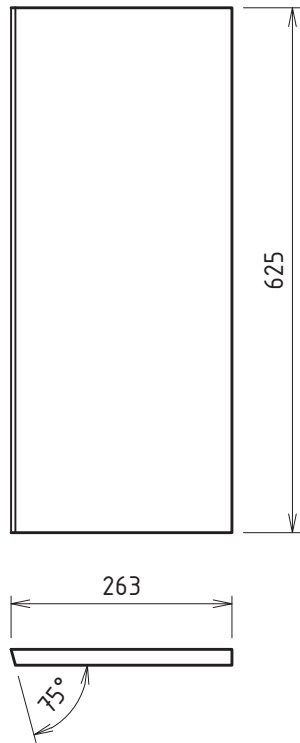
Two Way Loudspeaker 1"/12"

BPA Reference Enclosure Nr. 1002

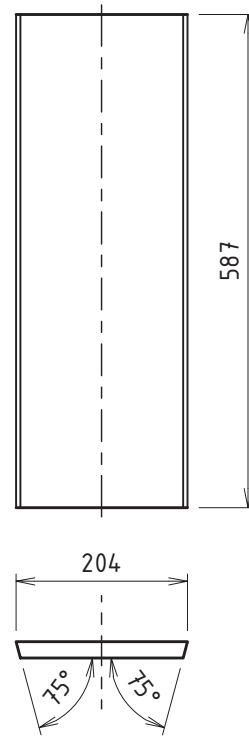
Version 1.1
04.11.2021

Sheet 3 of 4

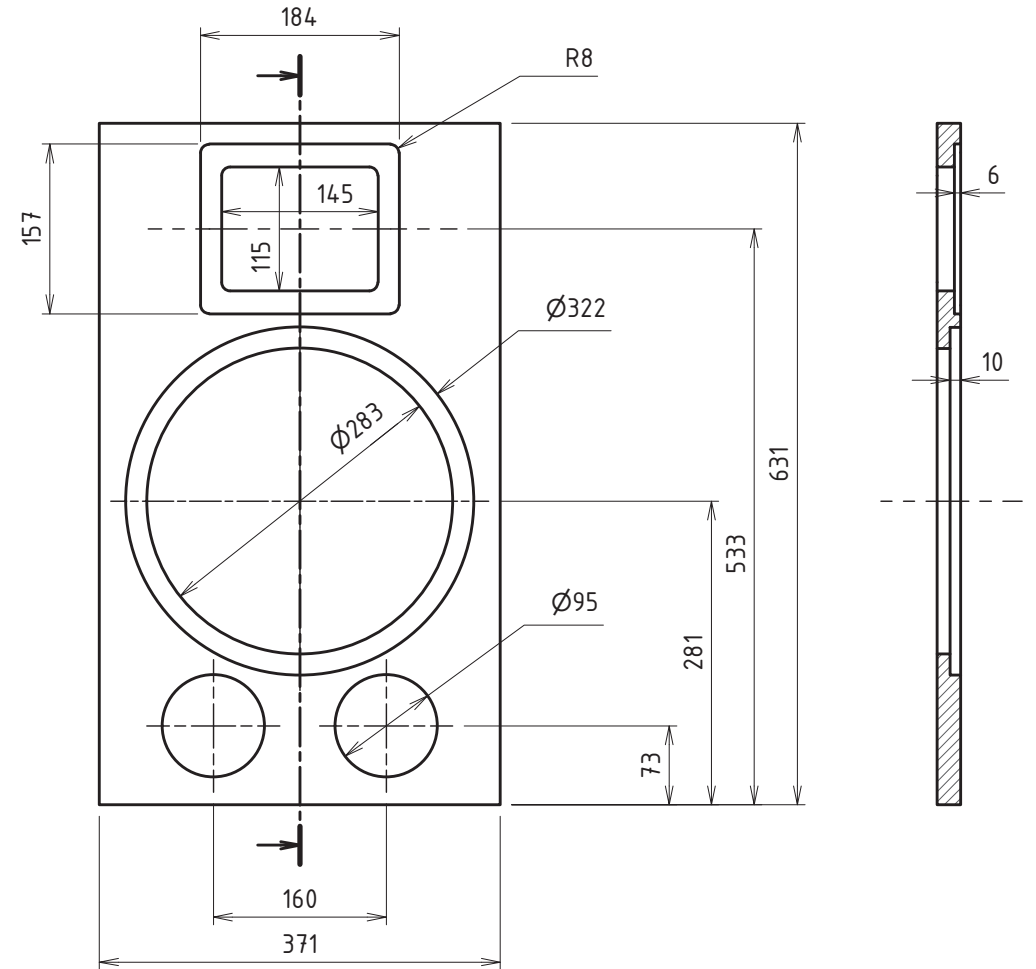
Left & Right Panel (x2)



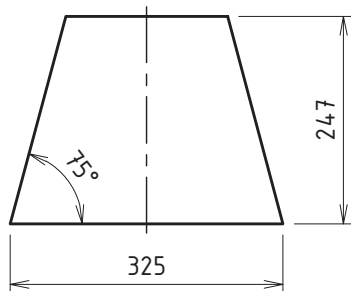
Rear Panel



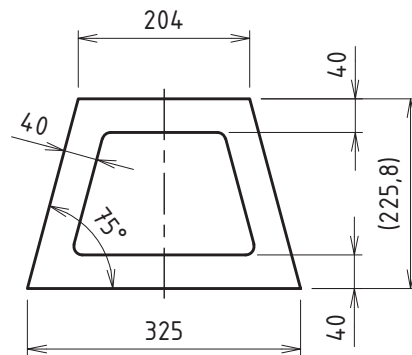
Front Panel



Top & Bottom Panel (x2)



Stiffening



Material thickness:

- > Front Panel = 22mm
- > All others = 19mm



Two Way Loudspeaker 1"/12"

BPA Reference Enclosure Nr. 1002

Version 1.1
04.11.2021

Sheet 4 of 4